

RONDELLE-MD-HIS-BRUT-DE-FRITTAGE · SAW-BLANKS-SC-HIS-JUST-SINTERED · RONDEN-HM-HIS-ROH-GESINTERT



SWISS MADE

20150-50-10-5.3

Version 07.05.2026

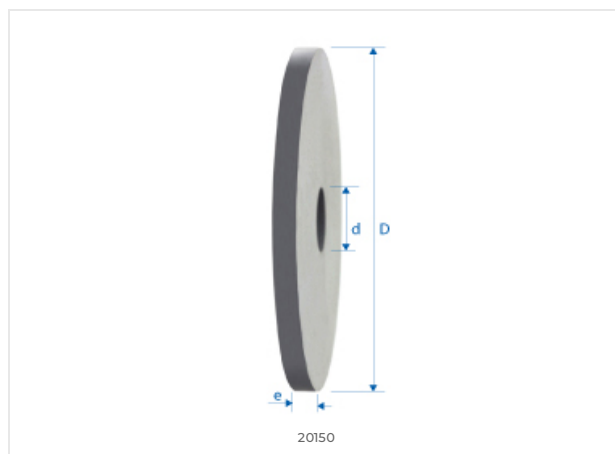
50.5
Ø D (MM)

MATERIAL COMPATIBILITY

●●● Excellent (3/3) ●● Good (2/3) ●○ Possible (1/3) ○○○ Not recommended

| MATERIAL | SPECIFICATION | GRP | 20150-50-10-5.3 |
|--|------------------------------|-----|-----------------|
| Alloyed and non-alloyed steels <small>Non-alloyed steels</small> | Rm < 450 N/mm ² | 1a | ○○○ |
| | Rm 450–700 N/mm ² | 1b | ○○○ |
| | Rm 700–900 N/mm ² | 1c | ○○○ |
| | Rm > 1200 N/mm ² | 1d | ○○○ |
| Stainless steels <small>Stainless steels</small> | Rm < 650 N/mm ² | 2a | ○○○ |
| | Rm 650–950 N/mm ² | 2b | ○○○ |
| | Rm > 950 N/mm ² | 2c | ○○○ |
| Hardened steels <small>Hardened steels</small> | 44–56 HRC | 3a | ○○○ |
| | 57–67 HRC | 3b | ○○○ |
| Exotic materials <small>Special alloys</small> | < 32 HRC | 4a | ○○○ |
| | > 32 HRC | 4b | ○○○ |
| Graphite <small>Industrial graphite</small> | | 5 | ○○○ |
| Cast iron <small>Grey / nodular cast iron</small> | < 32 HRC | 6a | ○○○ |
| | > 32 HRC | 6b | ○○○ |
| Titanium <small>Titanium alloys</small> | Rm < 600 N/mm ² | 7a | ○○○ |
| | 600 < Rm N/mm ² | 7b | ○○○ |
| Nickel alloys <small>Inconel, Hastelloy</small> | Rm < 1000 N/mm ² | 8a | ○○○ |
| | Rm > 1000 N/mm ² | 8b | ○○○ |
| Copper, brass, bronze <small>Copper-based</small> | Rm < 850 N/mm ² | 9a | ○○○ |
| | Rm > 850 N/mm ² | 9b | ○○○ |
| Aluminum <small>Aluminum alloys</small> | Si < 0.5% | 10a | ○○○ |
| | 0.5% < Si < 5% | 10b | ○○○ |
| | Si > 5% | 10c | ○○○ |
| Synthetic materials <small>Engineering plastics</small> | Thermoplastic | 11a | ○○○ |
| | Thermoset | 11b | ○○○ |
| Composite materials <small>Reinforced composites</small> | Glass fiber / GFK | 12a | ○○○ |
| | Carbon fiber / KFK | 12b | ○○○ |
| Precious metals <small>Gold, platinum, silver</small> | Gold | 13a | ○○○ |
| | Platinum | 13b | ○○○ |

TECHNICAL DRAWING



DIMENSIONS

NOMINAL DIMENSIONS

| | |
|---------------|---------|
| D (0 / -0.01) | 50.5 mm |
| d (h5) | 9.7 mm |
| L | – |
| l1 | – |
| l3 | – |
| d3 | – |
| R | – |
| e | 5.3 mm |
| Z | – |
| Chamfer K | – |
| w° collision | – |



E-SHOP / EZI CUT
eskenazi.ch/eshop/20150-50-10-5.3

© 2026 Eskenazi SA — Carouge, Genève
All rights reserved