

# FRAISE-DE-FINITION-MD-LONGUE-E2-+-EZI-ALPHA · FINISHING-ENDMILL-SC-LONG-E2-+-EZI-ALPHA · SCHLICHTFRÄSER-HM-LANG-E2-+-EZI-ALPHA



SWISS MADE

21145A-12

Version 21.06.2026

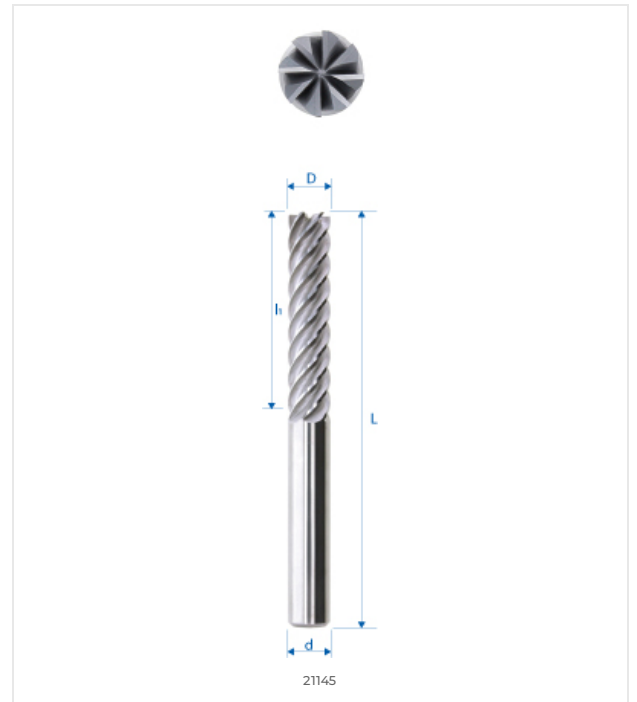


## MATERIAL COMPATIBILITY

●●● Excellent (3/3) ●●○ Good (2/3) ●○○ Possible (1/3) ○○○ Not recommended

MATERIAL	SPECIFICATION	GRP	21145A-12
<b>Alloyed and non-alloyed steels</b> Non-alloyed steels	Rm < 450 N/mm <sup>2</sup>	1a	●●●
	Rm 450–700 N/mm <sup>2</sup>	1b	●●●
	Rm 700–900 N/mm <sup>2</sup>	1c	●●●
	Rm > 1200 N/mm <sup>2</sup>	1d	●●●
<b>Stainless steels</b> Stainless steels	Rm < 650 N/mm <sup>2</sup>	2a	●●●
	Rm 650–950 N/mm <sup>2</sup>	2b	●●●
	Rm > 950 N/mm <sup>2</sup>	2c	●●●
<b>Hardened steels</b> Hardened steels	44–56 HRC	3a	●●○
	57–67 HRC	3b	●○○
<b>Exotic materials</b> Special alloys	< 32 HRC	4a	●●●
	> 32 HRC	4b	●●○
<b>Graphite</b> Industrial graphite		5	●●○
<b>Cast iron</b> Grey / nodular cast iron	< 32 HRC	6a	●●●
	> 32 HRC	6b	●●●
<b>Titanium</b> Titanium alloys	Rm < 600 N/mm <sup>2</sup>	7a	●●●
	600 < Rm N/mm <sup>2</sup>	7b	●●●
<b>Nickel alloys</b> Inconel, Hastelloy	Rm < 1000 N/mm <sup>2</sup>	8a	●●○
	Rm > 1000 N/mm <sup>2</sup>	8b	●●○
<b>Copper, brass, bronze</b> Copper-based	Rm < 850 N/mm <sup>2</sup>	9a	●○○
	Rm > 850 N/mm <sup>2</sup>	9b	●○○
<b>Aluminum</b> Aluminum alloys	Si < 0.5%	10a	●○○
	0.5% < Si < 5%	10b	●○○
	Si > 5%	10c	●●○
<b>Synthetic materials</b> Engineering plastics	Thermoplastic	11a	●○○
	Thermoset	11b	●○○
<b>Composite materials</b> Reinforced composites	Glass fiber / GFK	12a	●○○
	Carbon fiber / KFK	12b	●○○
<b>Precious metals</b> Gold, platinum, silver	Gold	13a	●○○
	Platinum	13b	●○○

## TECHNICAL DRAWING



## DIMENSIONS

NOMINAL DIMENSIONS	
D (0 / -0.01)	12 mm
d (h5)	12 mm
L	110 mm
l1	53 mm
l3	–
d3	–
R	–
e	–
Z	6
Chamfer K	0.1
w° collision	–



E-SHOP / EZI CUT  
[eskenazi.ch/eshop/21145A-12](https://eskenazi.ch/eshop/21145A-12)