

FRAISE-À-CHANFREINER-45°-MD-E2 · BEVEL-MILLING-CUTTER-45°-SC-E2 · FASENFRÄSER-45°-HM-E2



21730-10

Version 22.06.2026

SWISS MADE

E2

E2 HIGH PRECISION TOOL MATERIAL

$\lambda = 0^\circ$
 $\gamma = 8^\circ$

TOOL ANGLES LAMBDA 0° GAMMA 8°



V-GROOVE CHAMFER TOOL SHAPE



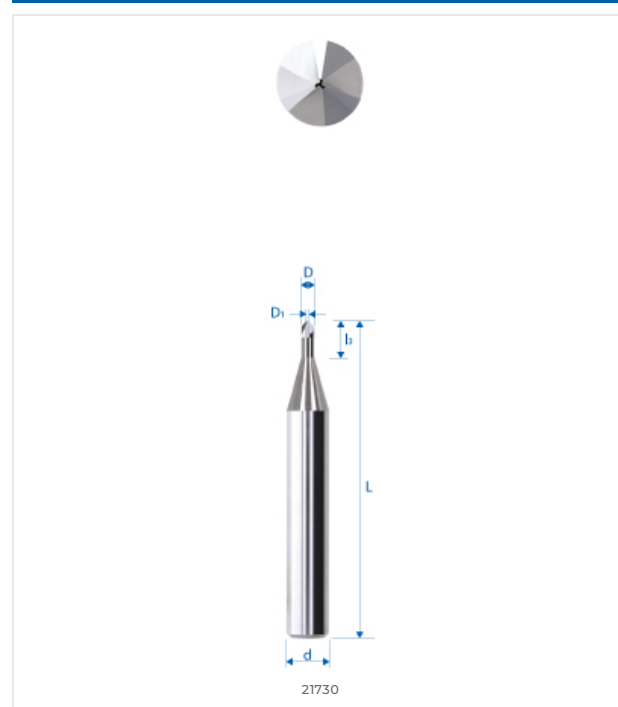
LATERAL CUTTING TWIST DRILL BIT

MATERIAL COMPATIBILITY

●●● Excellent (3/3) ●● Good (2/3) ●○ Possible (1/3) ○○○ Not recommended

| MATERIAL | SPECIFICATION | GRP | 21730-10 |
|---|------------------------------|-----|----------|
| Alloyed and non-alloyed steels Non-alloyed steels | Rm < 450 N/mm ² | 1a | ●○ |
| | Rm 450–700 N/mm ² | 1b | ●○ |
| | Rm 700–900 N/mm ² | 1c | ●○ |
| | Rm > 1200 N/mm ² | 1d | ○○ |
| Stainless steels Stainless steels | Rm < 650 N/mm ² | 2a | ●○ |
| | Rm 650–950 N/mm ² | 2b | ●○ |
| | Rm > 950 N/mm ² | 2c | ○○ |
| Hardened steels Hardened steels | 44–56 HRC | 3a | ○○ |
| | 57–67 HRC | 3b | ○○ |
| Exotic materials Special alloys | < 32 HRC | 4a | ○○ |
| | > 32 HRC | 4b | ○○ |
| Graphite Industrial graphite | | 5 | ●○ |
| Cast iron Grey / nodular cast iron | < 32 HRC | 6a | ○○ |
| | > 32 HRC | 6b | ○○ |
| Titanium Titanium alloys | Rm < 600 N/mm ² | 7a | ●○ |
| | 600 < Rm N/mm ² | 7b | ●○ |
| Nickel alloys Inconel, Hastelloy | Rm < 1000 N/mm ² | 8a | ○○ |
| | Rm > 1000 N/mm ² | 8b | ○○ |
| Copper, brass, bronze Copper-based | Rm < 850 N/mm ² | 9a | ●●● |
| | Rm > 850 N/mm ² | 9b | ●●● |
| Aluminum Aluminum alloys | Si < 0.5% | 10a | ●●● |
| | 0.5% < Si < 5% | 10b | ●●● |
| | Si > 5% | 10c | ○○ |
| Synthetic materials Engineering plastics | Thermoplastic | 11a | ●●● |
| | Thermoset | 11b | ●●● |
| Composite materials Reinforced composites | Glass fiber / GFK | 12a | ●○ |
| | Carbon fiber / KFK | 12b | ●○ |
| Precious metals Gold, platinum, silver | Gold | 13a | ●●● |
| | Platinum | 13b | ○○ |

TECHNICAL DRAWING



DIMENSIONS

NOMINAL DIMENSIONS

| | |
|---------------|-------|
| D (0 / -0.01) | 10 mm |
| d (h5) | 10 mm |
| L | 72 mm |
| l1 | 4 mm |
| l3 | – |
| d3 | – |
| R | – |
| e | 2 mm |
| Z | 4 |
| Chamfer K | – |
| w° collision | – |



E-SHOP / EZI CUT
eskenazi.ch/eshop/21730-10

© 2026 Eskenazi SA — Carouge, Genève
All rights reserved