

FRAISE-A-CHANFREINER-BI-FACE-90°-Z:4-MD-E2 ·
 BEVEL-MILLING-CUTTER-BI-FACE-90°-Z:4-CARBIDE-E2 ·
 FASENFRAESER-BI-FACE-90°-Z:4-HM-E2



SWISS MADE

21735-3.7

Version 07.05.2026

E2

E2 HIGH PRECISION TOOL MATERIAL

$\lambda=0^\circ$
 $\gamma=8^\circ$

TOOL ANGLES LAMBDA 0° GAMMA 8°



BIFACE MULTI-POINT INTERFACE



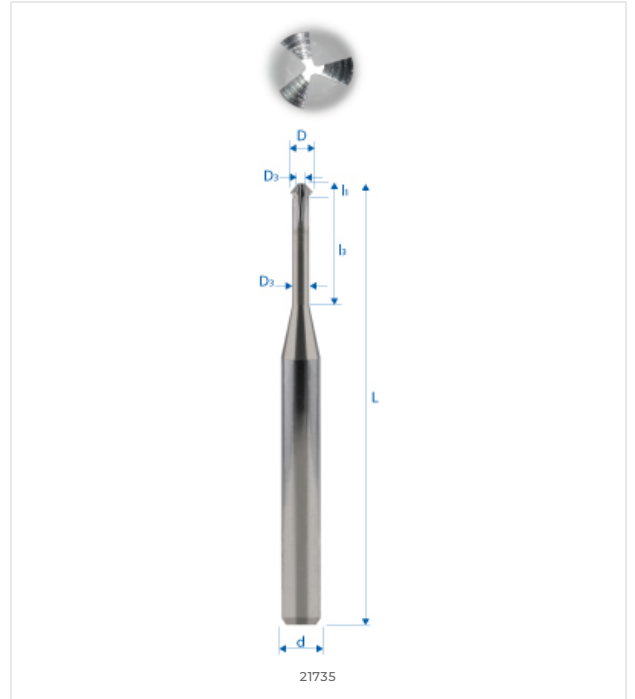
LATERAL CUTTING TWIST DRILL BIT

MATERIAL COMPATIBILITY

●●● Excellent (3/3) ●● Good (2/3) ●○ Possible (1/3) ○○ Not recommended

MATERIAL	SPECIFICATION	GRP	21735-3.7
Alloyed and non-alloyed steels Non-alloyed steels	Rm < 450 N/mm ²	1a	●○
	Rm 450–700 N/mm ²	1b	●○
	Rm 700–900 N/mm ²	1c	●○
	Rm > 1200 N/mm ²	1d	○○
Stainless steels Stainless steels	Rm < 650 N/mm ²	2a	●○
	Rm 650–950 N/mm ²	2b	●○
	Rm > 950 N/mm ²	2c	○○
Hardened steels Hardened steels	44–56 HRC	3a	○○
	57–67 HRC	3b	○○
Exotic materials Special alloys	< 32 HRC	4a	○○
	> 32 HRC	4b	○○
Graphite Industrial graphite		5	●○
Cast iron Grey / nodular cast iron	< 32 HRC	6a	○○
	> 32 HRC	6b	○○
Titanium Titanium alloys	Rm < 600 N/mm ²	7a	●○
	600 < Rm N/mm ²	7b	●○
Nickel alloys Inconel, Hastelloy	Rm < 1000 N/mm ²	8a	○○
	Rm > 1000 N/mm ²	8b	○○
Copper, brass, bronze Copper-based	Rm < 850 N/mm ²	9a	●●●
	Rm > 850 N/mm ²	9b	●●●
Aluminum Aluminum alloys	Si < 0.5%	10a	●●●
	0.5% < Si < 5%	10b	●●●
	Si > 5%	10c	○○
Synthetic materials Engineering plastics	Thermoplastic	11a	●●●
	Thermoset	11b	●●●
Composite materials Reinforced composites	Glass fiber / GFK	12a	●○
	Carbon fiber / KFK	12b	●○
Precious metals Gold, platinum, silver	Gold	13a	●●●
	Platinum	13b	○○

TECHNICAL DRAWING



DIMENSIONS

NOMINAL DIMENSIONS

D (0 / -0.01)	3.7 mm
d (h5)	4 mm
L	50 mm
l1	0.9 mm
l3	12 mm
d3	-
R	-
e	-
Z	4
Chamfer K	-
w° collision	0.7°



E-SHOP / EZI CUT
 eskenazi.ch/eshop/21735-3.7

© 2026 Eskenazi SA — Carouge, Genève
 All rights reserved