

# FRAISE-HEMISPHERIQUE Z2 · HEMISPHERICAL-ENDMILL Z2 · HEMISPHERISCHE-FRÄSER Z2



28082A-6

Version 21.06.2026

SWISS MADE

E2

E2 HIGH PRECISION  
TOOL MATERIAL

$\lambda = 30^\circ$   
 $\gamma = 10^\circ$

CUTTING ANGLES  $\lambda 30^\circ$  ?  
 $\gamma 10^\circ$



V-GROOVE CHAMFER  
TOOL SHAPE



DUAL DIRECTION  
HELICAL DRILL BIT

$l_1$   
1.5xD

1.5xD DEPTH  
PRECISION TOOL



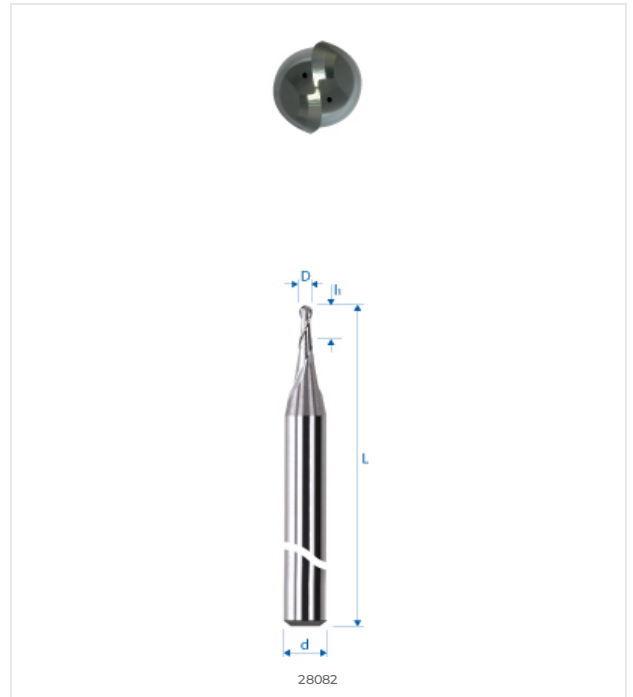
TOOL LENGTH  
MEASUREMENT BARS

## MATERIAL COMPATIBILITY

●●● Excellent (3/3) ●●○ Good (2/3) ●○○ Possible (1/3) ○○○ Not recommended

MATERIAL	SPECIFICATION	GRP	28082A-6
<b>Alloyed and non-alloyed steels</b> Non-alloyed steels	Rm < 450 N/mm <sup>2</sup>	1a	●●●
	Rm 450–700 N/mm <sup>2</sup>	1b	●●●
	Rm 700–900 N/mm <sup>2</sup>	1c	●●●
	Rm > 1200 N/mm <sup>2</sup>	1d	●●●
<b>Stainless steels</b> Stainless steels	Rm < 650 N/mm <sup>2</sup>	2a	●●●
	Rm 650–950 N/mm <sup>2</sup>	2b	●●●
	Rm > 950 N/mm <sup>2</sup>	2c	●●●
<b>Hardened steels</b> Hardened steels	44–56 HRC	3a	●●○
	57–67 HRC	3b	●○○
<b>Exotic materials</b> Special alloys	< 32 HRC	4a	●●●
	> 32 HRC	4b	●●○
<b>Graphite</b> Industrial graphite		5	●●○
<b>Cast iron</b> Grey / nodular cast iron	< 32 HRC	6a	●●●
	> 32 HRC	6b	●●●
<b>Titanium</b> Titanium alloys	Rm < 600 N/mm <sup>2</sup>	7a	●●●
	600 < Rm N/mm <sup>2</sup>	7b	●●●
<b>Nickel alloys</b> Inconel, Hastelloy	Rm < 1000 N/mm <sup>2</sup>	8a	●●○
	Rm > 1000 N/mm <sup>2</sup>	8b	●●○
<b>Copper, brass, bronze</b> Copper-based	Rm < 850 N/mm <sup>2</sup>	9a	●●●
	Rm > 850 N/mm <sup>2</sup>	9b	●●●
<b>Aluminum</b> Aluminum alloys	Si < 0.5%	10a	●●●
	0.5% < Si < 5%	10b	●●●
	Si > 5%	10c	●●●
<b>Synthetic materials</b> Engineering plastics	Thermoplastic	11a	●○○
	Thermoset	11b	●○○
<b>Composite materials</b> Reinforced composites	Glass fiber / GFK	12a	●●●
	Carbon fiber / KFK	12b	●●●
<b>Precious metals</b> Gold, platinum, silver	Gold	13a	●●●
	Platinum	13b	●●○

## TECHNICAL DRAWING



## DIMENSIONS

### NOMINAL DIMENSIONS

D (0 / -0.01)	6 mm
d (h5)	6 mm
L	57 mm
l1	9 mm
l3	–
d3	–
R	3 mm
e	–
Z	2
Chamfer K	–
w° collision	–



E-SHOP / EZI CUT  
eskenazi.ch/eshop/28082A-6

© 2026 Eskenazi SA — Carouge, Genève  
All rights reserved