

ALÉSOIR-MACHINE-DENTURE-HÉLICOÏDALE-MD-E2 · MACHINE-REAMER-SPIRAL-FLUTED-SC-E2 · MASCHINEN-REIBAHLEN-SPIRALGENUTET-HM-E2



SWISS MADE

47420-5.97

Version 07.05.2026

E2

E2 HIGH PRECISION TOOL MATERIAL

$\lambda = -5^\circ$
 $\gamma = 5^\circ$

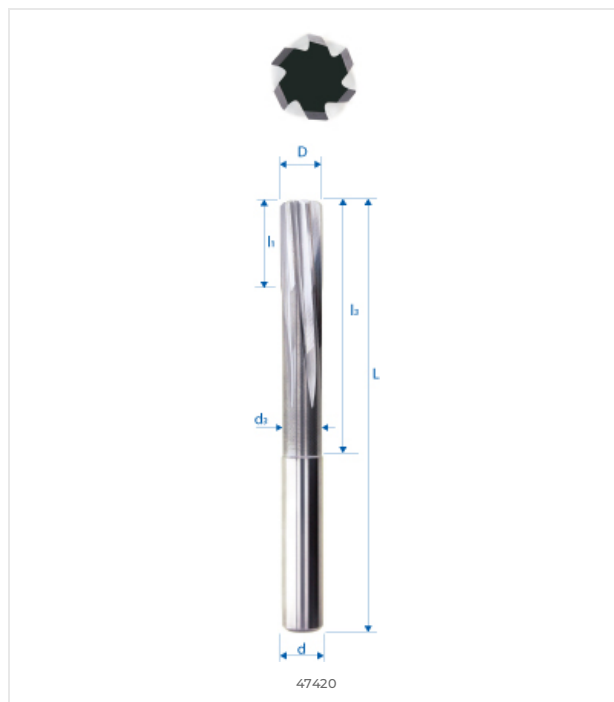
CUTTING ANGLES $\gamma = 5^\circ$? 5°

MATERIAL COMPATIBILITY

●●● Excellent (3/3) ●●○ Good (2/3) ●○○ Possible (1/3) ○○○ Not recommended

| MATERIAL | SPECIFICATION | GRP | 47420-5.97 |
|-------------------------------------------------------------|------------------------------|-----|------------|
| Alloyed and non-alloyed steels Non-alloyed steels | $R_m < 450 \text{ N/mm}^2$ | 1a | ●●○ |
| | $R_m 450-700 \text{ N/mm}^2$ | 1b | ●●○ |
| | $R_m 700-900 \text{ N/mm}^2$ | 1c | ●●○ |
| | $R_m > 1200 \text{ N/mm}^2$ | 1d | ●●○ |
| Stainless steels Stainless steels | $R_m < 650 \text{ N/mm}^2$ | 2a | ●●○ |
| | $R_m 650-950 \text{ N/mm}^2$ | 2b | ●●○ |
| | $R_m > 950 \text{ N/mm}^2$ | 2c | ●●○ |
| Hardened steels Hardened steels | 44-56 HRC | 3a | ●○○ |
| | 57-67 HRC | 3b | ○○○ |
| Exotic materials Special alloys | < 32 HRC | 4a | ●●○ |
| | > 32 HRC | 4b | ●●○ |
| Graphite Industrial graphite | | 5 | ●●○ |
| Cast iron Grey / nodular cast iron | < 32 HRC | 6a | ●●○ |
| | > 32 HRC | 6b | ●●○ |
| Titanium Titanium alloys | $R_m < 600 \text{ N/mm}^2$ | 7a | ●●○ |
| | $600 < R_m \text{ N/mm}^2$ | 7b | ●●○ |
| Nickel alloys Inconel, Hastelloy | $R_m < 1000 \text{ N/mm}^2$ | 8a | ●○○ |
| | $R_m > 1000 \text{ N/mm}^2$ | 8b | ●○○ |
| Copper, brass, bronze Copper-based | $R_m < 850 \text{ N/mm}^2$ | 9a | ●●● |
| | $R_m > 850 \text{ N/mm}^2$ | 9b | ●●● |
| Aluminum Aluminum alloys | $Si < 0.5\%$ | 10a | ●●● |
| | $0.5\% < Si < 5\%$ | 10b | ●●● |
| | $Si > 5\%$ | 10c | ●●○ |
| Synthetic materials Engineering plastics | Thermoplastic | 11a | ●●● |
| | Thermoset | 11b | ●●● |
| Composite materials Reinforced composites | Glass fiber / GFK | 12a | ●●○ |
| | Carbon fiber / KFK | 12b | ●●○ |
| Precious metals Gold, platinum, silver | Gold | 13a | ●●● |
| | Platinum | 13b | ●○○ |

TECHNICAL DRAWING



DIMENSIONS

NOMINAL DIMENSIONS

| | |
|---------------|---------|
| D (0 / -0.01) | 5.97 mm |
| d (h5) | 5.97 mm |
| L | 93 mm |
| l1 | 23 mm |
| l3 | 57 mm |
| d3 | - |
| R | - |
| e | - |
| Z | 6 |
| Chamfer K | 0.6 |
| w° collision | - |



E-SHOP / EZI CUT
eskenazi.ch/eshop/47420-5.97

© 2026 Eskenazi SA — Carouge, Genève
All rights reserved