

MICRO-FRAISE-HÉMISPHERIQUE Z2 · BALL-NOSE- MICRO-ENDMILL Z2 · MICRO-FRÄSER-HALBRUND Z2



21093A-0.3

Version du 07.05.2026

SWISS MADE

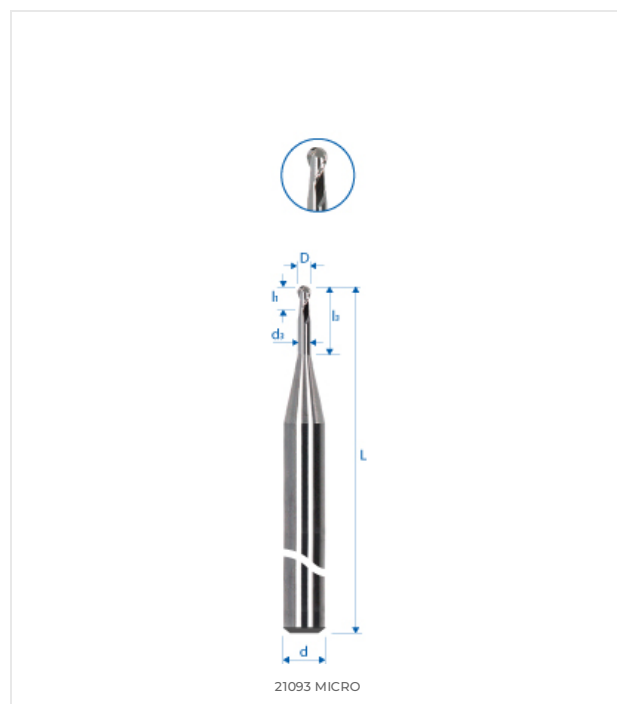


COMPATIBILITÉ MATIÈRE

●●● Excellent (3/3) ●●○ Bon (2/3) ●○○ Possible (1/3) ○○○ Non recommandé

MATIÈRE	SPÉCIFICATION	GRP	21093A-0.3
Aciers alliés et non alliés <small>Aciers non alliés</small>	Rm < 450 N/mm ²	1a	●●●
	Rm 450-700 N/mm ²	1b	●●●
	Rm 700-900 N/mm ²	1c	●●●
	Rm > 1200 N/mm ²	1d	●●●
Aciers Inox <small>Aciers inoxydables</small>	Rm < 650 N/mm ²	2a	●●●
	Rm 650-950 N/mm ²	2b	●●●
	Rm > 950 N/mm ²	2c	●●●
Aciers trempés <small>Aciers durcis</small>	44-56 HRC	3a	●●○
	57-67 HRC	3b	●○○
Matériaux exotiques <small>Alliages spéciaux</small>	< 32 HRC	4a	●●○
	> 32 HRC	4b	●○○
Graphite <small>Graphite industriel</small>		5	●●○
Fontes <small>Fonte grise / nodulaire</small>	< 32 HRC	6a	●●○
	> 32 HRC	6b	●●○
Titane <small>Alliages titane</small>	Rm < 600 N/mm ²	7a	●●●
	600 < Rm N/mm ²	7b	●●●
Alliages Nickel <small>Inconel, Hastelloy</small>	Rm < 1000 N/mm ²	8a	●●○
	Rm > 1000 N/mm ²	8b	●●○
Cuivre, laiton, bronze <small>Cuivreux</small>	Rm < 850 N/mm ²	9a	●○○
	Rm > 850 N/mm ²	9b	●○○
Aluminium <small>Alliages aluminium</small>	Si < 0.5%	10a	●○○
	0.5% < Si < 5%	10b	●○○
	Si > 5%	10c	●○○
Matériaux synthétiques <small>Plastiques techniques</small>	Thermoplastique	11a	○○○
	Thermodurcissable	11b	○○○
Matériaux composites <small>Composites renforcés</small>	Fibre de verre / GFK	12a	●●○
	Fibre de carbone / KFK	12b	●●○
Métaux précieux <small>Or, platine, argent</small>	Or	13a	●●○
	Platine	13b	●○○

DESSIN TECHNIQUE



DIMENSIONS

DIMENSIONS NOMINALES	
D (0 / -0.01)	0.3 mm
d (h5)	3 mm
L	38 mm
l1	0.45 mm
l3	1.5 mm
d3	-
R	0.15 mm
e	-
Z	2
Chanfrein K	-
w° collision	10.7°



E-SHOP / EZI CUT
eskenazi.ch/eshop/21093A-0.3