

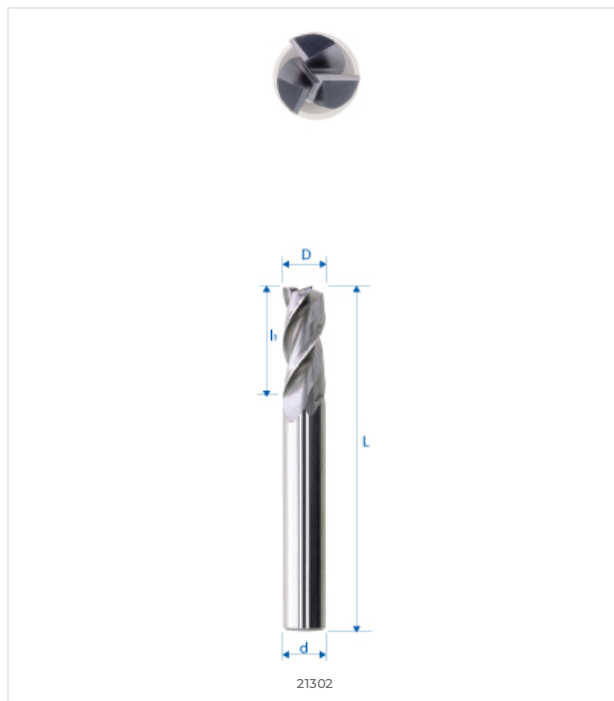
| | | | | | | | |
|--|---|--|--|---|---|------------------------------------|-----------------------------------|
| E2 OUTIL E2 MATÉRIAU HAUTE PRÉCISION | $\lambda=32^{\circ}-38^{\circ}$ $\gamma=10^{\circ}$ ANGLES DE COUPE RÉGLABLES 32°- 38° | $\phi \leq 6$ $\phi > 6$ 90° 45° CHANFREIN $\phi < 6$ $\phi > 6$ 90° 45° | FORET HÉLICOÏDAL À DOUBLE SENS | h_1 2.2xD PROFONDEUR 2.2XD POUR OUTILS | INDICATEUR D'USURE OUTIL STANDARD | ICÔNE D'ANGLES RÉGLABLES | FORET À HÉLICE VARIABLE |
|--|---|--|--|---|---|------------------------------------|-----------------------------------|

COMPATIBILITÉ MATIÈRE

●●● Excellent (3/3) ●●○ Bon (2/3) ●○○ Possible (1/3) ○○○ Non recommandé

| MATIÈRE | SPÉCIFICATION | GRP | 21302-5-6 |
|--|------------------------------|-----|-----------|
| Aciers alliés et non alliés <small>Aciers non alliés</small> | Rm < 450 N/mm ² | 1a | ●○○ |
| | Rm 450–700 N/mm ² | 1b | ○○○ |
| | Rm 700–900 N/mm ² | 1c | ○○○ |
| | Rm > 1200 N/mm ² | 1d | ○○○ |
| Aciers Inox <small>Aciers inoxydables</small> | Rm < 650 N/mm ² | 2a | ○○○ |
| | Rm 650–950 N/mm ² | 2b | ○○○ |
| | Rm > 950 N/mm ² | 2c | ○○○ |
| Aciers trempés <small>Aciers durcis</small> | 44–56 HRC | 3a | ○○○ |
| | 57–67 HRC | 3b | ○○○ |
| Matériaux exotiques <small>Alliages spéciaux</small> | < 32 HRC | 4a | ○○○ |
| | > 32 HRC | 4b | ○○○ |
| Graphite <small>Graphite industriel</small> | | 5 | ●○○ |
| Fontes <small>Fonte grise / nodulaire</small> | < 32 HRC | 6a | ○○○ |
| | > 32 HRC | 6b | ○○○ |
| Titane <small>Alliages titane</small> | Rm < 600 N/mm ² | 7a | ●○○ |
| | 600 < Rm N/mm ² | 7b | ●○○ |
| Alliages Nickel <small>Inconel, Hastelloy</small> | Rm < 1000 N/mm ² | 8a | ○○○ |
| | Rm > 1000 N/mm ² | 8b | ○○○ |
| Cuivre, laiton, bronze <small>Cuivreux</small> | Rm < 850 N/mm ² | 9a | ●●● |
| | Rm > 850 N/mm ² | 9b | ●●● |
| Aluminium <small>Alliages aluminium</small> | Si < 0.5% | 10a | ●●○ |
| | 0.5% < Si < 5% | 10b | ●●○ |
| | Si > 5% | 10c | ○○○ |
| Matières synthétiques <small>Plastiques techniques</small> | Thermoplastique | 11a | ●●○ |
| | Thermodurcissable | 11b | ●●○ |
| Matières composites <small>Composites renforcés</small> | Fibre de verre / GFK | 12a | ●○○ |
| | Fibre de carbone / KFK | 12b | ●○○ |
| Métaux précieux <small>Or, platine, argent</small> | Or | 13a | ●●● |
| | Platine | 13b | ○○○ |

DESSIN TECHNIQUE



DIMENSIONS

| DIMENSIONS NOMINALES | |
|----------------------|-------|
| D (0 / -0.01) | 5 mm |
| d (h5) | 6 mm |
| L | 57 mm |
| l1 | 13 mm |
| l3 | – |
| d3 | – |
| R | – |
| e | – |
| Z | 3 |
| Chanfrein K | – |
| w° collision | 2° |



E-SHOP / EZI CUT
eskenazi.ch/eshop/21302-5-6