

# FRAISE-PROFIL-ÉBAUCHE-MD-E2-+-EZI-ALPHA,- VERSION-COURTE · ROUGHIN-ENDMILL-SC-E2-+-EZI- ALPHA,-SHORT-VERSION · SCHAFT-SCHRUPPFÄSER- HM-E2-+-EZI-ALPHA,-KURTZE-VERSION



SWISS MADE

21520A-4-6

Version du 07.05.2026

E2

OUTIL E2 MATÉRIAU  
HAUTE PRÉCISION

$\lambda = 30^\circ$   
 $\gamma = 3^\circ$

ANGLES DE COUPE  $\gamma 30^\circ$   
 $\gamma 3^\circ$

45°

MESURE D'ANGLE 45°  
PRÉCISION



FORET HÉLICOÏDAL À  
DOUBLE SENS

h  
1.5xD

PROFONDEUR 1.5xD  
OUTIL PRÉCISION



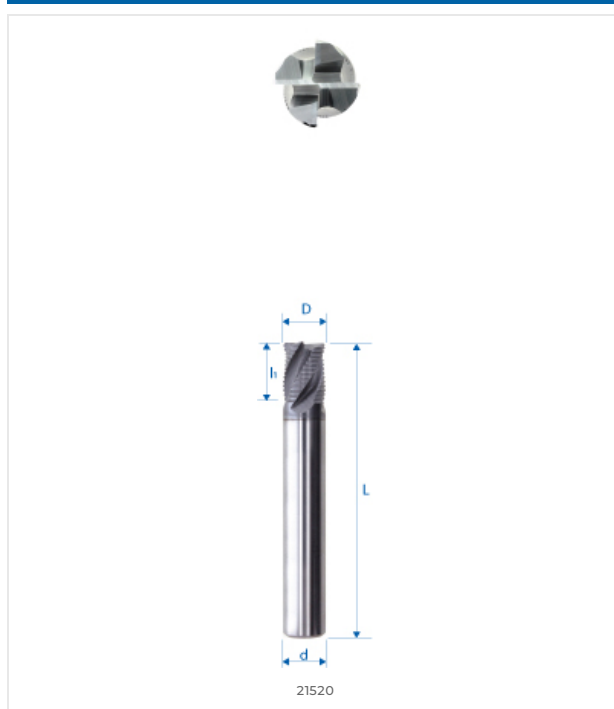
BARRES LONGUEUR  
COURTE USURE OUTIL

## COMPATIBILITÉ MATIÈRE

●●● Excellent (3/3) ●●○ Bon (2/3) ●○○ Possible (1/3) ○○○ Non recommandé

| MATIÈRE  | SPÉCIFICATION                | GRP | 21520A-4-6 |
|--|------------------------------|-----|------------|
| <b>Aciers alliés et non alliés</b><br><small>Aciers non alliés</small> | Rm < 450 N/mm <sup>2</sup>   | 1a  | ●●○        |
|  | Rm 450–700 N/mm <sup>2</sup> | 1b  | ●●○        |
|  | Rm 700–900 N/mm <sup>2</sup> | 1c  | ●●○        |
|  | Rm > 1200 N/mm <sup>2</sup>  | 1d  | ●○○        |
| <b>Aciers Inox</b><br><small>Aciers inoxydables</small>                | Rm < 650 N/mm <sup>2</sup>   | 2a  | ●●○        |
|  | Rm 650–950 N/mm <sup>2</sup> | 2b  | ●●○        |
|  | Rm > 950 N/mm <sup>2</sup>   | 2c  | ●●○        |
| <b>Aciers trempés</b><br><small>Aciers durcis</small>                  | 44–56 HRC                    | 3a  | ○○○        |
|  | 57–67 HRC                    | 3b  | ○○○        |
| <b>Matériaux exotiques</b><br><small>Alliages spéciaux</small>         | < 32 HRC                     | 4a  | ●○○        |
|  | > 32 HRC                     | 4b  | ●○○        |
| <b>Graphite</b><br><small>Graphite industriel</small>                  |                              | 5   | ○○○        |
| <b>Fontes</b><br><small>Fonte grise / nodulaire</small>                | < 32 HRC                     | 6a  | ●●●        |
|  | > 32 HRC                     | 6b  | ●●●        |
| <b>Titane</b><br><small>Alliages titane</small>                        | Rm < 600 N/mm <sup>2</sup>   | 7a  | ●●○        |
|  | 600 < Rm N/mm <sup>2</sup>   | 7b  | ●○○        |
| <b>Alliages Nickel</b><br><small>Inconel, Hastelloy</small>            | Rm < 1000 N/mm <sup>2</sup>  | 8a  | ●○○        |
|  | Rm > 1000 N/mm <sup>2</sup>  | 8b  | ●○○        |
| <b>Cuivre, laiton, bronze</b><br><small>Cuivreux</small>               | Rm < 850 N/mm <sup>2</sup>   | 9a  | ●●○        |
|  | Rm > 850 N/mm <sup>2</sup>   | 9b  | ●●○        |
| <b>Aluminium</b><br><small>Alliages aluminium</small>                  | Si < 0.5%                    | 10a | ○○○        |
|  | 0.5% < Si < 5%               | 10b | ○○○        |
|  | Si > 5%                      | 10c | ○○○        |
| <b>Matières synthétiques</b><br><small>Plastiques techniques</small>   | Thermoplastique              | 11a | ○○○        |
|  | Thermodurcissable            | 11b | ○○○        |
| <b>Matières composites</b><br><small>Composites renforcés</small>      | Fibre de verre / GFK         | 12a | ○○○        |
|  | Fibre de carbone / KFK       | 12b | ○○○        |
| <b>Métaux précieux</b><br><small>Or, platine, argent</small>           | Or                           | 13a | ●●○        |
|  | Platine                      | 13b | ●○○        |

## DESSIN TECHNIQUE



## DIMENSIONS

| DIMENSIONS NOMINALES |       |
|----------------------|-------|
| D (0 / -0.01)        | 4 mm  |
| d (h5)               | 6 mm  |
| L                    | 50 mm |
| h                    | 5 mm  |
| l3                   | –     |
| d3                   | –     |
| R                    | –     |
| e                    | –     |
| Z                    | 3     |
| Chanfrein K          | 0.3   |
| w° collision         | 6.4°  |



E-SHOP / EZI CUT  
[eskenazi.ch/eshop/21520A-4-6](https://eskenazi.ch/eshop/21520A-4-6)