

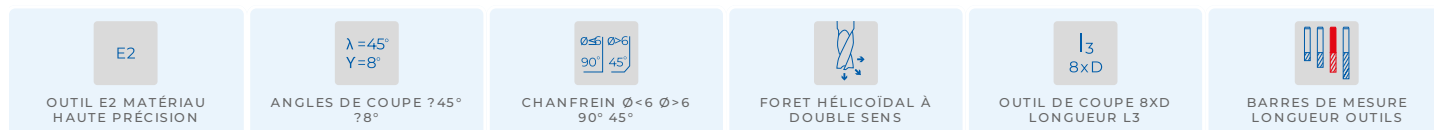
FRAISE-DE-FINITION-MD-E2+-EZI-DUR · FINISHING- ENDMILL-SC-E2+-EZI-DUR · SCHLICHTFRÄSER-HM-E2+- EZI-DUR



SWISS MADE

22144X-20

Version du 07.05.2026

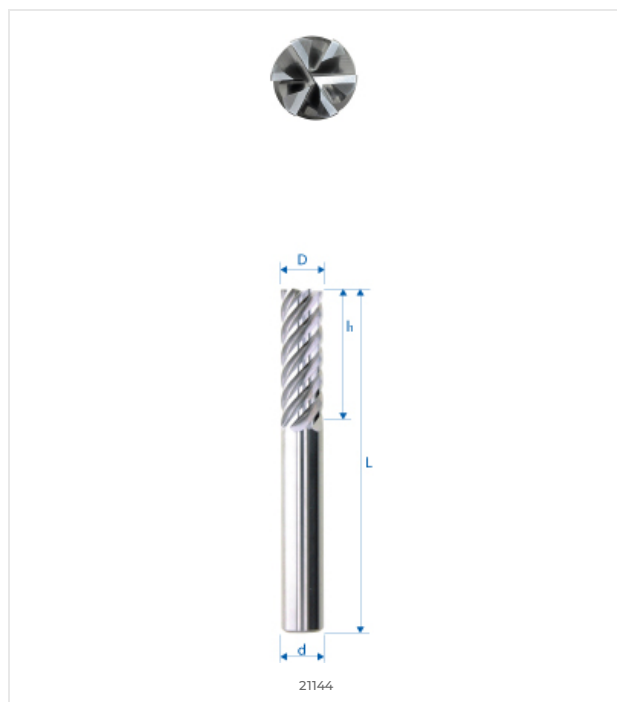


COMPATIBILITÉ MATIÈRE

●●● Excellent (3/3) ●●○ Bon (2/3) ●○○ Possible (1/3) ○○○ Non recommandé

| MATIÈRE | SPÉCIFICATION | GRP | 22144X-20 |
|---|------------------------------|-----|-----------|
| Aciers alliés et non alliés Aciers non alliés | Rm < 450 N/mm ² | 1a | ●●○ |
| | Rm 450-700 N/mm ² | 1b | ●●○ |
| | Rm 700-900 N/mm ² | 1c | ●●○ |
| | Rm > 1200 N/mm ² | 1d | ●●○ |
| Aciers Inox Aciers inoxydables | Rm < 650 N/mm ² | 2a | ●●○ |
| | Rm 650-950 N/mm ² | 2b | ●●○ |
| | Rm > 950 N/mm ² | 2c | ●●○ |
| Aciers trempés Aciers durcis | 44-56 HRC | 3a | ●●● |
| | 57-67 HRC | 3b | ●●● |
| Matériaux exotiques Alliages spéciaux | < 32 HRC | 4a | ●●● |
| | > 32 HRC | 4b | ●●● |
| Graphite Graphite industriel | | 5 | ●○○ |
| Fontes Fonte grise / nodulaire | < 32 HRC | 6a | ●●○ |
| | > 32 HRC | 6b | ●●○ |
| Titane Alliages titane | Rm < 600 N/mm ² | 7a | ●●○ |
| | 600 < Rm N/mm ² | 7b | ●●○ |
| Alliages Nickel Inconel, Hastelloy | Rm < 1000 N/mm ² | 8a | ●●● |
| | Rm > 1000 N/mm ² | 8b | ●●● |
| Cuivre, laiton, bronze Cuivreux | Rm < 850 N/mm ² | 9a | ○○○ |
| | Rm > 850 N/mm ² | 9b | ○○○ |
| Aluminium Alliages aluminium | Si < 0.5% | 10a | ●○○ |
| | 0.5% < Si < 5% | 10b | ●○○ |
| | Si > 5% | 10c | ●●○ |
| Matières synthétiques Plastiques techniques | Thermoplastique | 11a | ○○○ |
| | Thermodurcissable | 11b | ○○○ |
| Matières composites Composites renforcés | Fibre de verre / GFK | 12a | ●○○ |
| | Fibre de carbone / KFK | 12b | ●○○ |
| Métaux précieux Or, platine, argent | Or | 13a | ●○○ |
| | Platine | 13b | ●○○ |

DESSIN TECHNIQUE



DIMENSIONS

| DIMENSIONS NOMINALES | |
|----------------------|--------|
| D (0 / -0.01) | 20 mm |
| d (h5) | 20 mm |
| L | 104 mm |
| l1 | 46 mm |
| l3 | - |
| d3 | - |
| R | - |
| e | - |
| Z | 10 |
| Chanfrein K | 0.1 |
| w° collision | - |



E-SHOP / EZI CUT
eskenazi.ch/eshop/22144X-20