

ALÉSOIR-MD-E2S-+-TROU-D'ARROSAGE · -REAMER-SC-E2S-+-INTERNAL-COOLING · REIBAHLEN-HM-E2S-+-COOLING



SWISS MADE

47480S-5.01

Version du 07.05.2026

E2

OUTIL E2 MATÉRIAU HAUTE PRÉCISION

$\lambda = -5^\circ$
 $\gamma = 5^\circ$

ANGLES DE COUPE ? -5° ? 5°



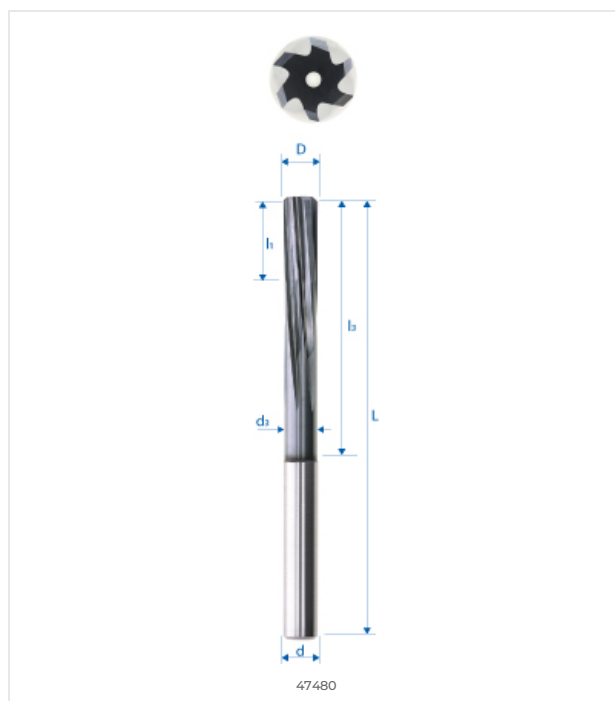
FORET À ARROSAGE CENTRAL

COMPATIBILITÉ MATIÈRE

●●● Excellent (3/3) ●●○ Bon (2/3) ●○○ Possible (1/3) ○○○ Non recommandé

| MATIÈRE | SPÉCIFICATION | GRP | 47480S-5.01 |
|---|------------------------------|-----|-------------|
| Aciers alliés et non alliés Aciers non alliés | Rm < 450 N/mm ² | 1a | ●●● |
| | Rm 450–700 N/mm ² | 1b | ●●● |
| | Rm 700–900 N/mm ² | 1c | ●●● |
| | Rm > 1200 N/mm ² | 1d | ●●● |
| Aciers Inox Aciers inoxydables | Rm < 650 N/mm ² | 2a | ●●● |
| | Rm 650–950 N/mm ² | 2b | ●●● |
| | Rm > 950 N/mm ² | 2c | ●●● |
| Aciers trempés Aciers durcis | 44–56 HRC | 3a | ●●○ |
| | 57–67 HRC | 3b | ●●○ |
| Matériaux exotiques Alliages spéciaux | < 32 HRC | 4a | ●●● |
| | > 32 HRC | 4b | ●●● |
| Graphite Graphite industriel | | 5 | ●●● |
| Fontes Fonte grise / nodulaire | < 32 HRC | 6a | ●●● |
| | > 32 HRC | 6b | ●●● |
| Titane Alliages titane | Rm < 600 N/mm ² | 7a | ●●● |
| | 600 < Rm N/mm ² | 7b | ●●● |
| Alliages Nickel Inconel, Hastelloy | Rm < 1000 N/mm ² | 8a | ●●● |
| | Rm > 1000 N/mm ² | 8b | ●●● |
| Cuivre, laiton, bronze Cuivreux | Rm < 850 N/mm ² | 9a | ●●● |
| | Rm > 850 N/mm ² | 9b | ●●● |
| Aluminium Alliages aluminium | Si < 0.5% | 10a | ●●● |
| | 0.5% < Si < 5% | 10b | ●●● |
| | Si > 5% | 10c | ●●● |
| Matières synthétiques Plastiques techniques | Thermoplastique | 11a | ●●● |
| | Thermodurcissable | 11b | ●●● |
| Matières composites Composites renforcés | Fibre de verre / GFK | 12a | ●●● |
| | Fibre de carbone / KFK | 12b | ●●● |
| Métaux précieux Or, platine, argent | Or | 13a | ●●● |
| | Platine | 13b | ●●○ |

DESSIN TECHNIQUE



DIMENSIONS

DIMENSIONS NOMINALES

| | |
|---------------|---------|
| D (0 / -0.01) | 5.01 mm |
| d (h5) | 5 mm |
| L | 100 mm |
| l1 | 15 mm |
| l2 | 50 mm |
| d3 | – |
| R | – |
| e | – |
| Z | 4 |
| Chanfrein K | 0.5 |
| w° collision | – |



E-SHOP / EZI CUT
eskenazi.ch/eshop/47480S-5.01

© 2026 Eskenazi SA — Carouge, Genève
Tous droits réservés